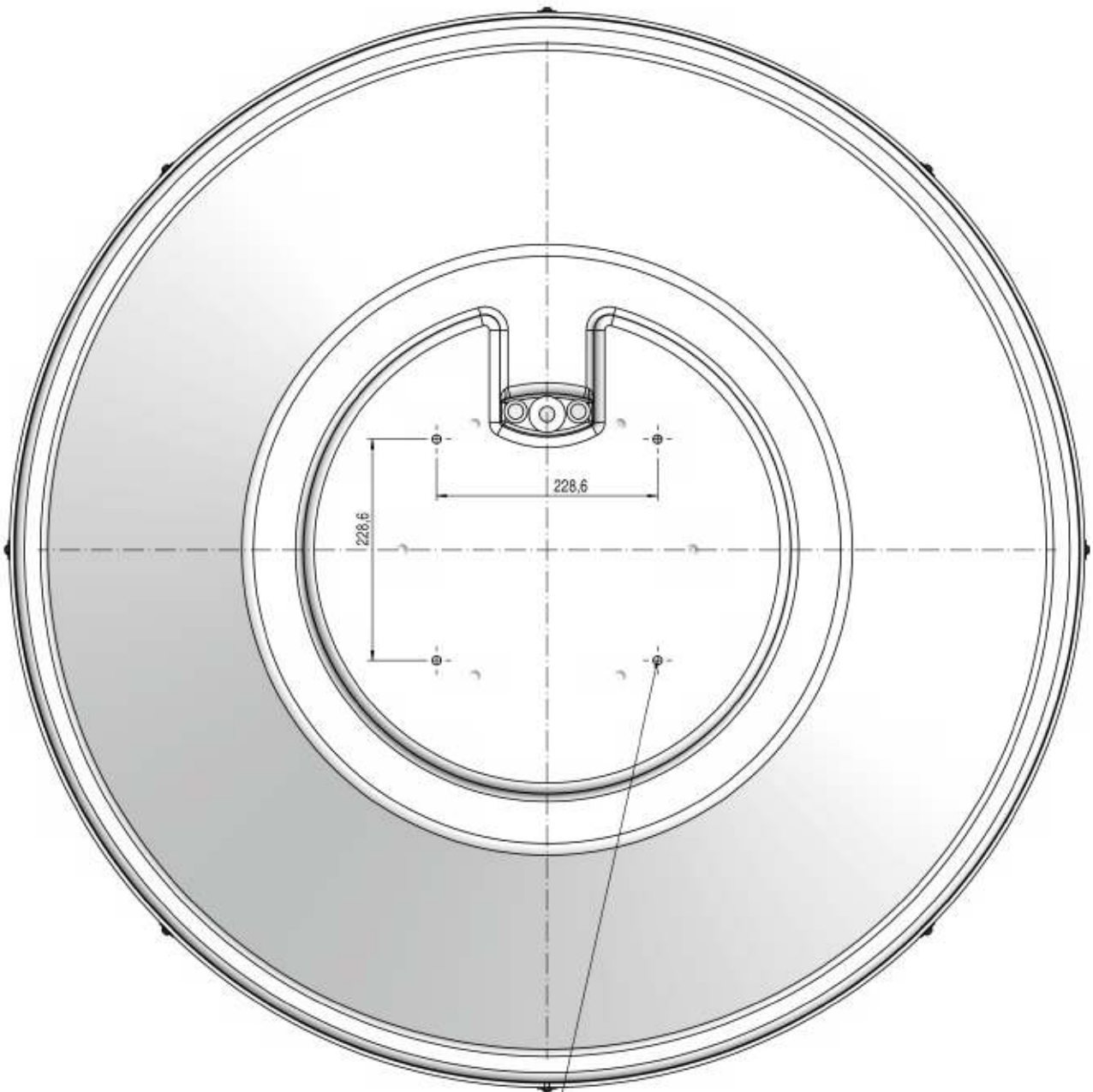


DSi9



Position of Mounting Holes
(Diameter : 8.5 ...9.0 mm)