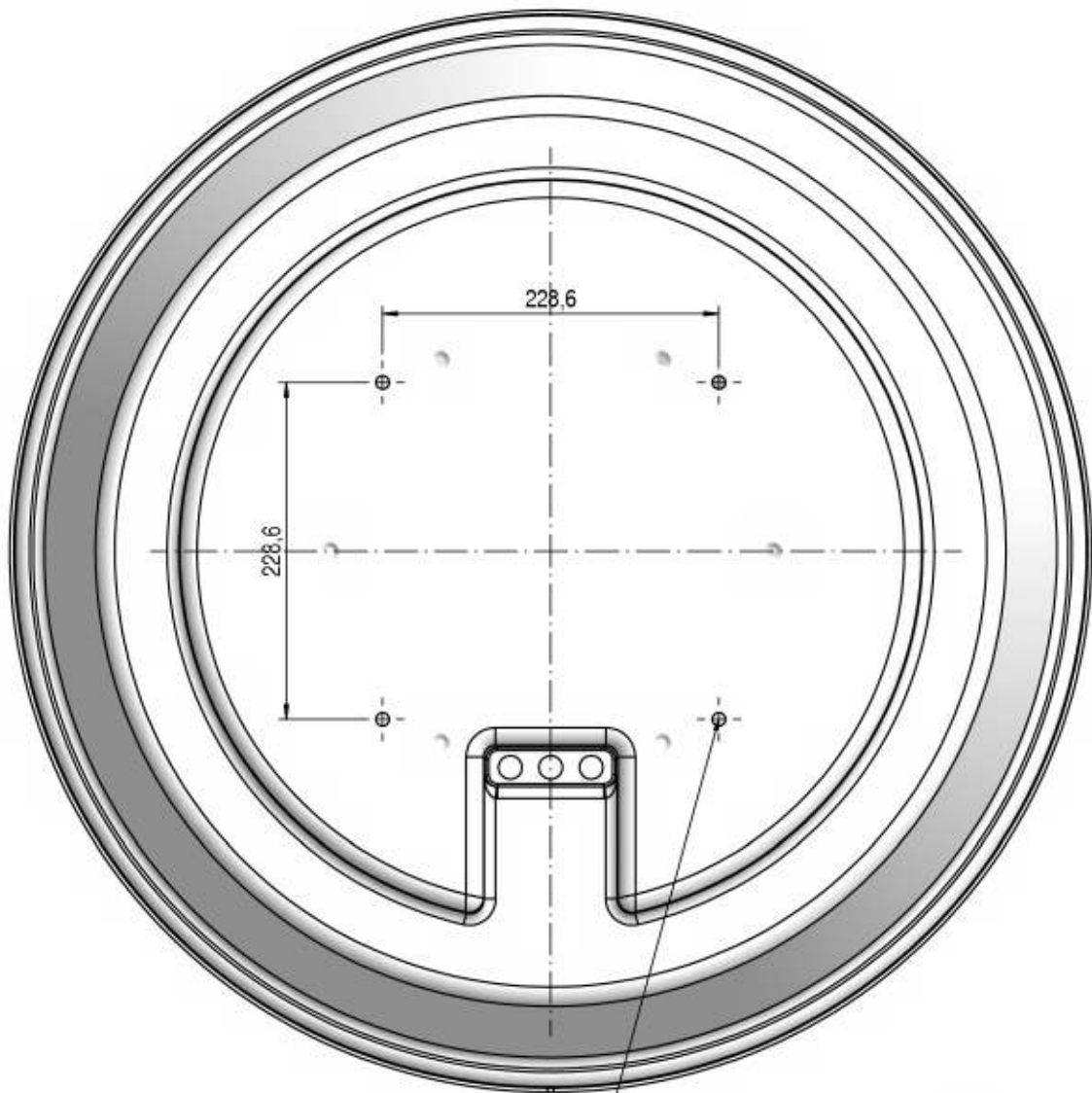


# DSi6



Position of Mounting Holes  
( Diameter : 8.5 ... 9 mm )