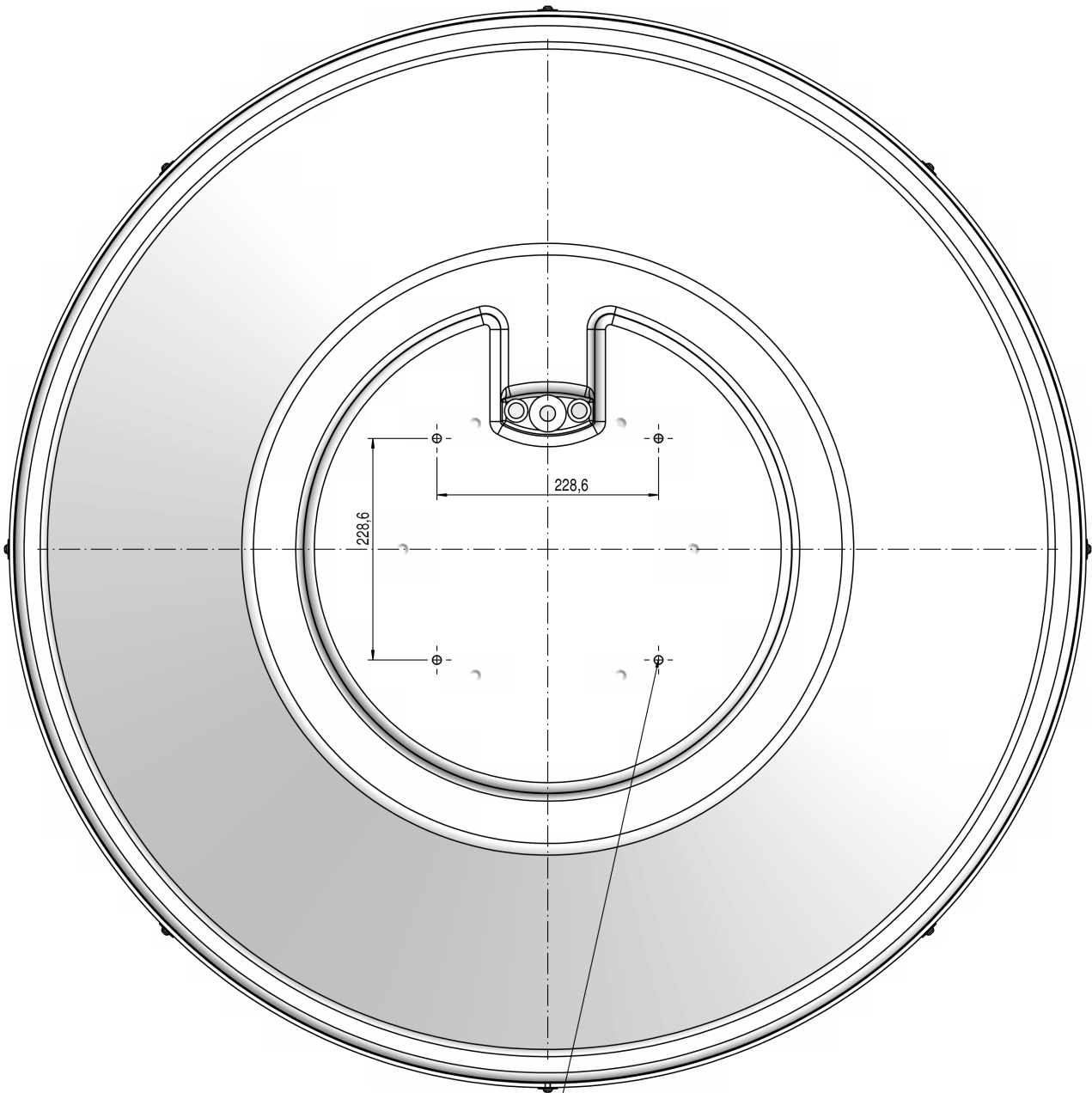


# TV 90



Position of Mounting Holes  
( Diameter : 8.5 ...9.0 mm )