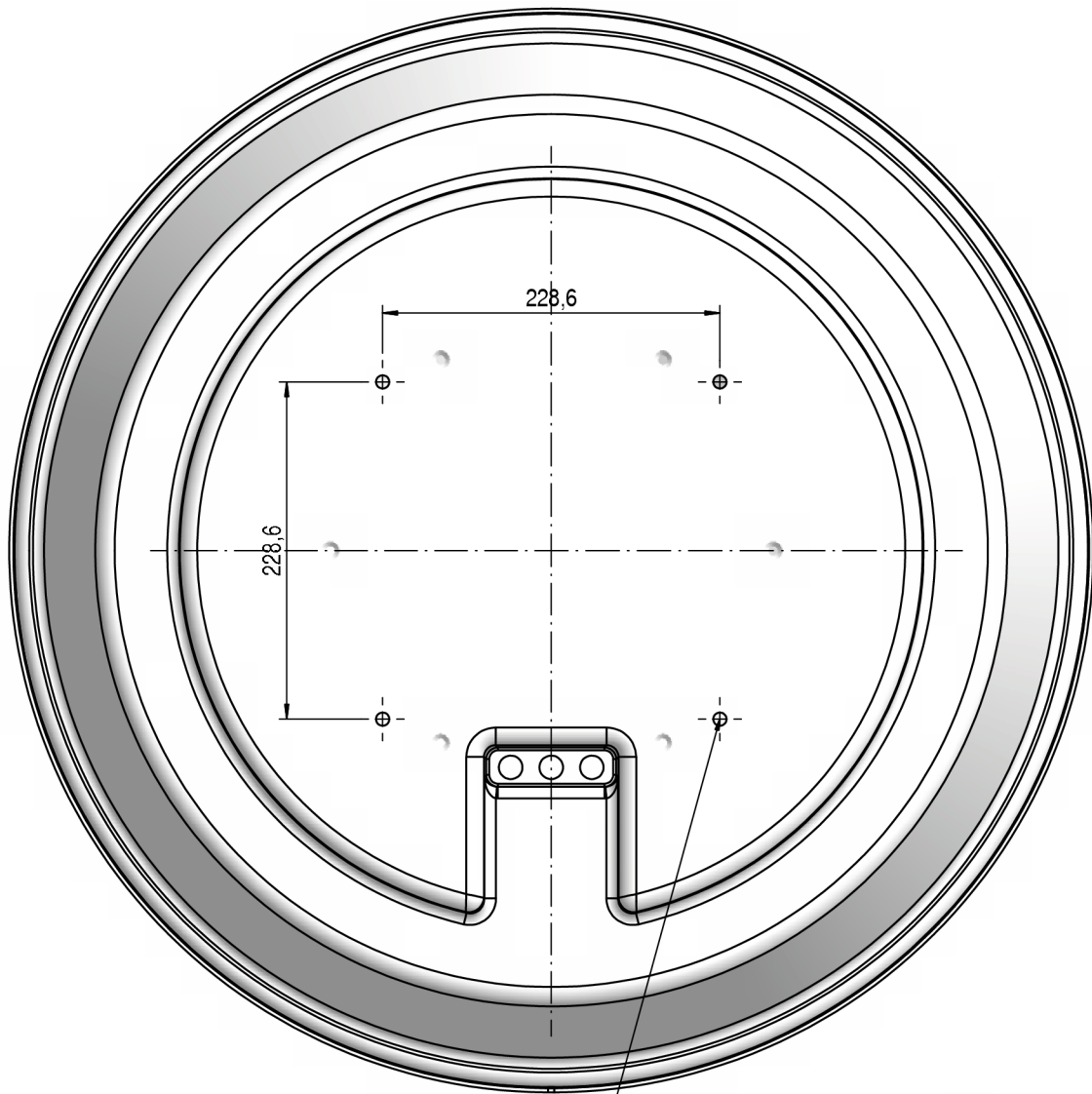


TV 61



Position of Mounting Holes
(Diameter : 8.5 ... 9 mm)